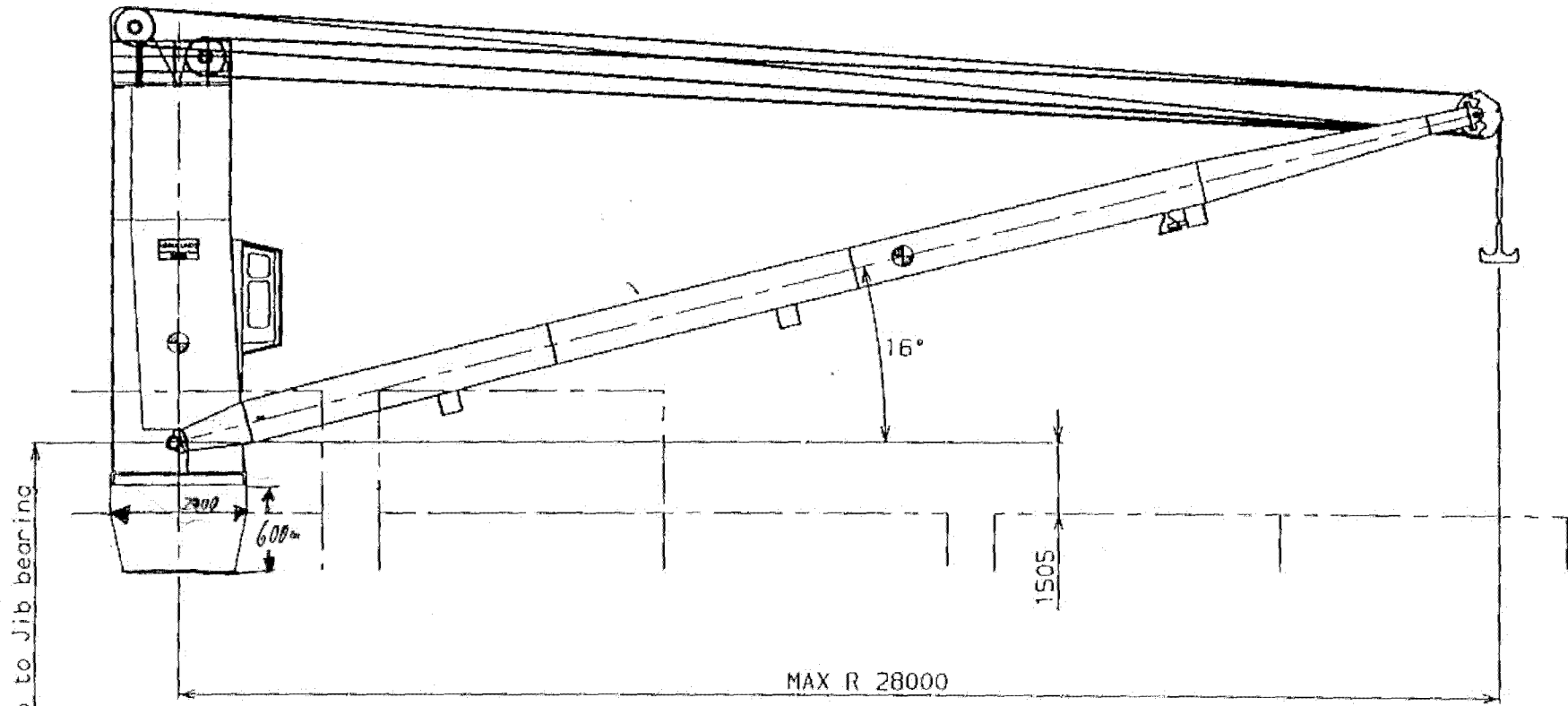


# CRANE No. 2



29100 Distance Tank Top to Jib bearing

JIB PARKING IN WIRE ROPES, MAX ANGLE

This document shall not be copied without our written permission, and the contents thereof shall not be reported to a third party nor be used for any unauthorized purpose. Conveyance will be prosecuted.

Station drawing no. Reference

Revised	Revision	Appd	Year	Week

<b>HÄGGLUNDS</b> MEMBER OF THE INCENTIVE GROUP		Description <b>JIB PARKING</b> GL 4028		Scale <b>1:100</b>	
		Dept 452	Drawn by C Ödling	Year Week 95 26	Draw no. <b>388 7916</b>
				Rev and Sheet	No of sh
					2
					2